


Coaxial Cable Connectors

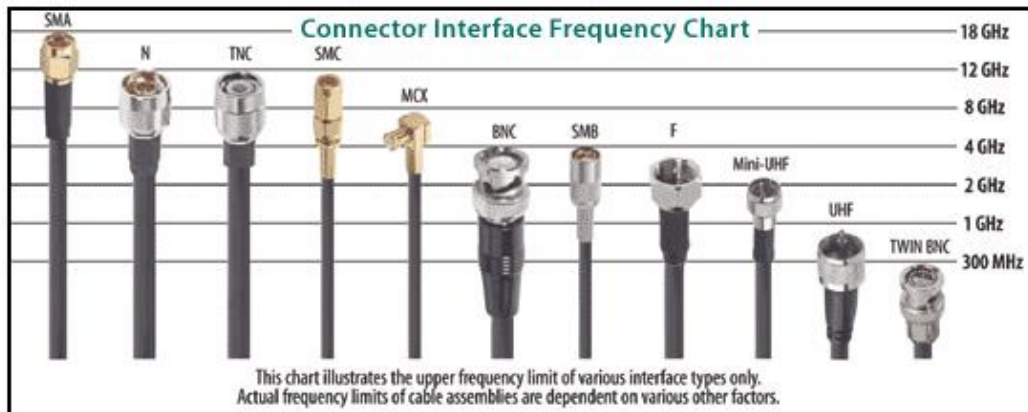
RG174/U



50 Ohm Impedance

- Center Conductor: 26 (7x34) AWG bare copper covered steel
- Shielding: Tinned copper braid (90% coverage)
- Insulation: Polyethylene
- Jacket: Black PVC
- Operating Temperature: -40°C - +75°C

NOMINAL ATTENUATION		
MHz	db/100 ft	db/100m
50	5.8	19.0
100	8.4	27.6
200	12.5	41.0
400	19.0	62.3
1000	34.0	111.5



RF Cable Options

	RG6, RG59 compression	
F6 compression connector (metal plug)	RG6, RG59 compression	RG6, RG59 compression connector waterproof-A
	RG6, RG59 compression	
RG6, RG59 compression connector waterproof-B	RG6, RG59 compression	RG6, RG59 compression connector waterproof-C
	RG6, RG59 compression	
RG6, RG59 compression connector waterproof-D	RG6, RG59 compression	RG6, RG59 compression connector waterproof-E
	RG6, RG59 compression	
RG6, RG59 compression connector waterproof-E	RG6, RG59 compression	RG6, RG59 compression connector waterproof-E

Fakra Cables



Description	Jack	Plug	Color / RAL-Nr.
Radio without phantom supply			Black/9005
Radio with phantom supply			White/9001
GPS: telematics or navigation			Blue/5005
GSM Cellular phone			Bordeauxviolet/4004
TV1			Green/5002
Remote control keyless entry			Grey/7031
Radio with iF			Curry/1027
Neutral coding			Waterblue/5021